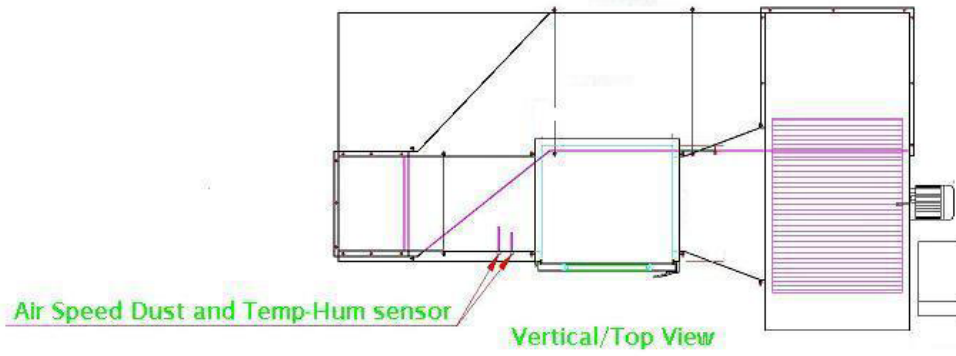


Mechanical Drawing- Model H-DTS-640



**HATEST**  
**Blowing Sand Chamber**  
**MODEL H-DTS-640**

